



1-800-779-2102

Mon – Thurs: 8:00am - 5:00pm | Friday: 8:00am - 4:00pm CST

INSPECT YOUR PRODUCT FOR DAMAGE & MISSING PARTS BEFORE PROCEEDING TO INSTALLATION

PROCEDURE FOR RETURNS OR MISSING HARDWARE

-PLEASE CONTACT THE ORIGINAL POINT OF PURCHASE FOR:
SHIPPING DAMAGE, RETURNS, OR WARRANTY CLAIMS

-CONTACT DEE ZEE DIRECTLY FOR MISSING PARTS OR HARDWARE

WWW.DEEZEE.COM

REGISTER YOUR PRODUCT ONLINE: www.deezee.com/registration

VIEW INSTRUCTIONS ONLINE: www.deezee.com/instructions

⚠ WARNING: Cancer and Reproductive Harm
www.P65Warnings.ca.gov

Operating, servicing, and maintaining a passenger vehicle can expose you to chemicals such as lead, phthalates, engine exhaust, and carbon monoxide that are known to the State of California cause cancer and birth defects or other reproductive harm. To minimize exposure, service your vehicle and its accessories in a well-vented area and wear gloves or wash your hands frequently.



DEE ZEE, INC. WARRANTY AGREEMENT

Dee Zee, Inc. guarantees the original purchaser a limited lifetime warranty against manufacturer defects in materials, workmanship, and design under normal use, excluding damage resulting from road hazards such as gravel or other debris, product misuse, improper installation, impairments from accidents, product modifications, improper repairs, spills, vandalism, product neglect, or acts of God.

This warranty applies only to the original purchaser of new product(s) and is limited to the replacement of genuine Dee Zee products. Modification of any kind to Dee Zee products voids all warranty coverage. Warranty does not include electrical components, installation, cost of removal, labor, transportation costs, loss of use, inconvenience, or consequential damages.

WARRANTY COVERAGE - MATERIALS & WORKMANSHIP

LIMITED LIFETIME WARRANTY:

- STAINLESS STEEL: Side Steps, Grill Guards, Bull Bars, Bed Caps, and Side Rails
- ALUMINUM: Side Steps, Running Boards, Storage Boxes, Transfer Tanks, Bed Protection, Side Rails, Invis-A-Racks, and Cab Racks
- PLASTIC: Storage Boxes
- OTHER: Front and Rear Bumpers

THREE-YEAR WARRANTY:

- POWDER-COATED / E-COATED STEEL: Side Steps, Running Boards, Storage Boxes, Transfer Tanks, Cab Racks, Sport Bar Ladder Racks, Cargo Carriers, Mounting Brackets (NX, Rough Step, and Bumper Guards only)
- OTHER: Tailgate Assist, Bed Mats, Floor Mats, Auxiliary Fuel Connection Kits, and All Products Not Otherwise Listed Individually

WARRANTY COVERAGE – FINISH PROTECTION

The finish of all Dee Zee products is covered for one-year (1) from the date of purchase. Dee Zee products have a high quality finish that must be cared for and maintained like any other exposed finish on the vehicle. Protect the finish with non-abrasive automotive wax (e.g. Pure Carnauba) on a regular basis. Applying soaps, polishes, or waxes that contain an abrasive compound may scratch the finish and leave the exposed material susceptible to corrosion.

WARRANTY COVERAGE – COMPONENT PARTS

Operational items such as shocks, latches, hinges, and wear items including, but not limited to, mud flaps, step pads, toolbox tray, end caps, hardware, seals, etc. have a one-year (1) warranty. Replacement component parts can be ordered via credit card (MasterCard or VISA) by calling 1-800-779-2102. All replacement parts are non-returnable and non-refundable.

GPI® FUEL PUMPS & ACCESSORIES

All Great Plains Industries (GPI) products, including transfer tank pumps and fuel meters are covered by GPI's warranty policies. Dee Zee's warranty terms do not apply to GPI products. To submit a warranty claim, please contact GPI at 1-800-835-0113 or visit www.gpi.net.

WARRANTY SUBMISSION PROCEDURE

All warranty claims will be initiated at the place of purchase. The original purchaser will be required to present the original sales receipt with purchase date shown and provide photographs of the defect.

In the event the originally purchased product style is no longer available, Dee Zee will warranty the defective part with a current equivalent. If a comparable product is no longer available, the product would be returned to the store of purchase for a refund or the applicable cost difference can be paid to choose an alternate style.

DISCLAIMER

All products are sold as appearance accessories and should not be relied upon as protection for the vehicle or its occupants in the event of an accident. Vehicles equipped with a supplemental restraints system (air bags) deployed by impact and collision avoidance systems should not be modified in any way. Always consult the vehicle manufacturer if you have any questions regarding supplemental restraint systems and sensors.

Buyer must accommodate front and rear sensors during product installation and assumes all risk should these be tampered, rerouted, severed, or disconnected. This includes disabling visual, audio, or vibration alerts into the cab. Buyer assumes all risk and responsibility for wiring any supplemental auxiliary lights.

Buyer assumes all risk, liability, and cost for the installation and use of Dee Zee products. Dee Zee, Inc. assumes no liability for injury, loss, incidental or consequential damages in the event of an accident.



Thank you for choosing Dee Zee to add function and accessorize your vehicle. Dee Zee has been a staple brand in the truck accessory market since 1977 and we hold a reputation of quality manufacturing based in America's Heartland. Our products are born through careful engineering and backed by industry leading warranty programs. We appreciate the opportunity to serve you and your vehicle!

Review the instruction pages in their entirety to prepare the required tools

Warning: Please check for wiring or other obstructions before drilling any holes in the vehicle. If it is necessary to drill any holes, Dee Zee recommends putting a sealant or rust inhibitory around all holes drilled into the body of the vehicle.

It is the sole responsibility of the vehicle owner to check for tire clearance. It is unlawful and dangerous to ride on any external vehicle step while the vehicle is in motion.

Cleaning: To be entitled to all warranty rights offered with the product, Dee Zee steps need to be cleaned regularly with a mild detergent. Do NOT use abrasive cleaners. For stainless steel products, the application of a high grade automotive wax is recommended.



Dee Zee Cares - Please Recycle


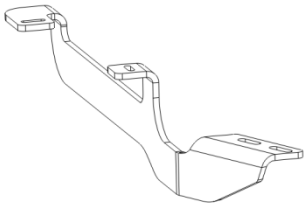
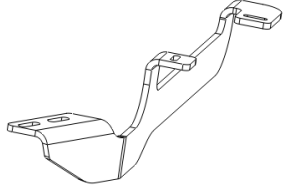
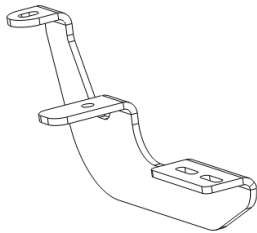
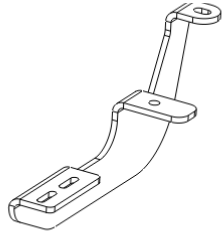
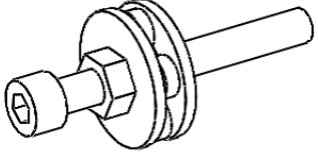
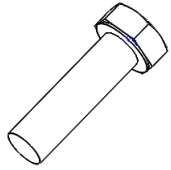

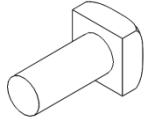

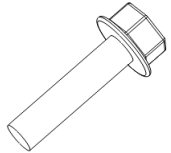
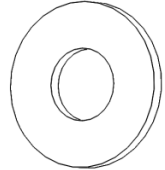
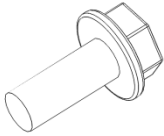

For an electronic version of these instructions visit: www.deezee.com/instructions

Register your product online: www.deezee.com/registration

**KIA SORENTO
DZ 16273**

BRACKET KIT

**HYUNDAI SANTA FE
DZ 16281**

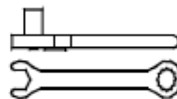
<p>A DZ 16201 / DZ 16202 / DZ 16203 *SOLD SEPARATELY FROM THIS KIT*</p>  <p>BD BRBOARDBB BD BRBOARDBVM BD BRBOARDSSB X2</p>	<p>B FRONT BRACKET DRIVER SIDE</p>  <p>B 2140LP (SORENTO) X1 B 2140LWEP (SANTA FE) X1</p>	<p>C FRONT BRACKET PASS. SIDE</p>  <p>B 2140RP (SORENTO) X1 B 2140RWEP (SANTA FE) X1</p>
<p>D REAR BRACKET DRIVER SIDE</p>  <p>B 2141LP (SORENTO) X1 B 2141LWEP (SANTA FE) X1</p>	<p>E REAR BRACKET PASS. SIDE</p>  <p>B 2141RP (SORENTO) X1 B 2141RWEP (SANTA FE) X1</p>	<p>F M8 NUTSERT SET TOOL</p>  <p>PN 685 X1</p>
<p>G M10 – 1.5 x 35mm HEX HEAD BOLT</p>  <p>PN 744B X2</p>	<p>H M10 – 1.5 THREADED PLATE</p>  <p>PN 742 X2</p>	<p>I M8 X 18 mm SQUARE HEAD BOLT</p>  <p>PN 524 X8</p>
<p>J M8 HEX HEAD FLANGE NUT</p>  <p>PN 526 X8</p>	<p>K M6 – 1.0 X 25mm FLANGE BOLT</p>  <p>PN 846 X4</p>	<p>L 3/8 FLAT WASHER</p>  <p>PN 113B X4</p>
<p>M M8 X 25mm FLANGE BOLT</p>  <p>PN 525 X2</p>	<p>N M8 STEEL NUTSERT</p>  <p>PN 852 X2</p>	

Tools Required:

Note: Air tools recommended.



Tape Measure



Ratchet / Wrench

13mm

1 FRONT BRACKET HOLE LOCATIONS

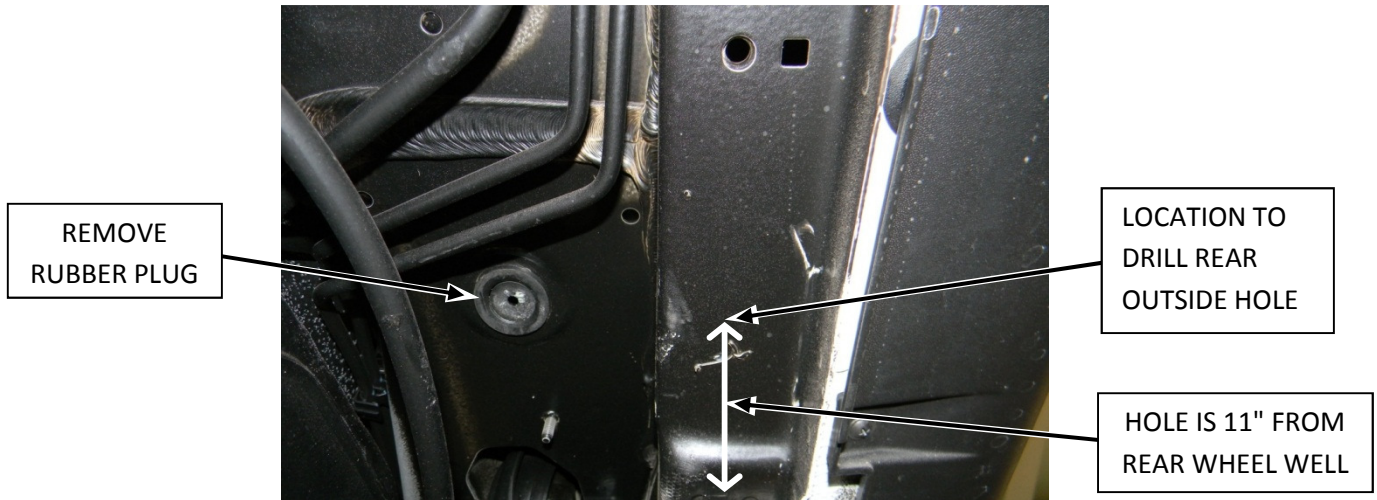
The holes for the front brackets are located where the existing two bolts are shown below. These bolts are located on the bottom of the truck near the front wheel wells. Remove the existing bolts and washers before installing the front bracket.



Front Driver Side

2 REAR BRACKET HOLE LOCATIONS

The holes for the rear brackets are located near the rear wheel wells as shown below. Remove rubber plug from inside hole location. The outside hole will need to be drilled in the rocker panel as described in section 4.

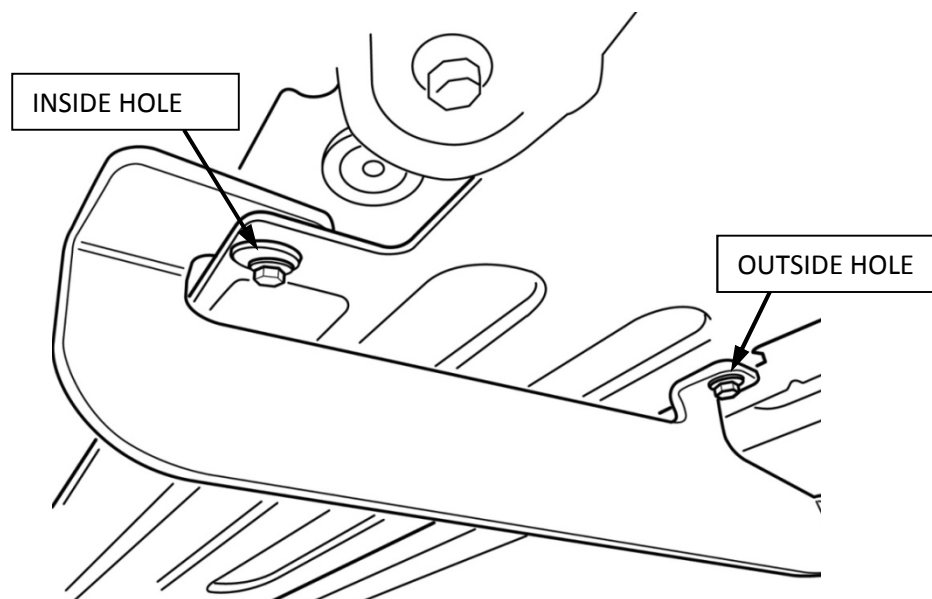


Rear Driver Side

The following sections describe the installation for the driver's side running board. Refer to page 3 for a listing of all hardware references.

3 FRONT BRACKET INSTALLATION

STEP 1 – Place M6 x 25mm flange bolt (K) and 3/8" flat washer (L) in the inside hole through front bracket (B). The bracket should sit under (between body and plastic) the plastic cover. Place an M6 x 25mm flange bolt and 3/8" flat washer in the outside hole location, making sure bracket is sitting on top of plastic cover. Tighten with 10mm wrench or socket.

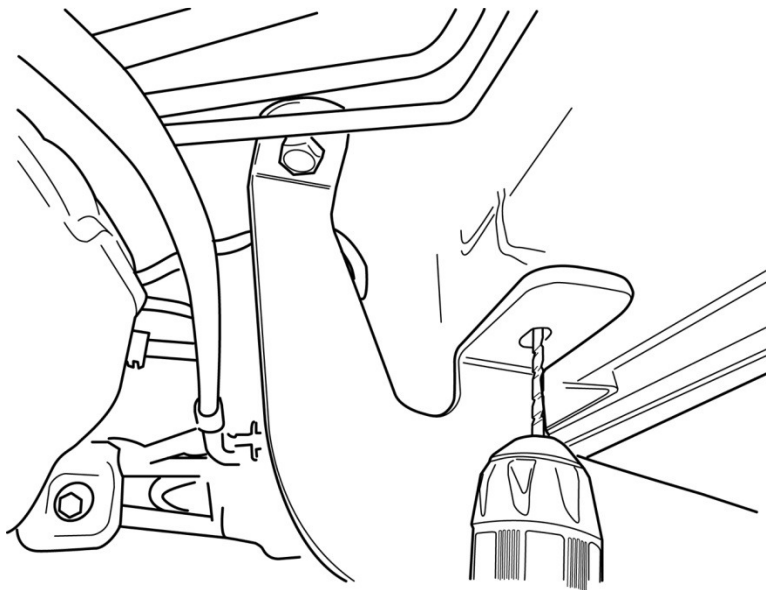


4 REAR BRACKET INSTALLATION

STEP 1 – Place M10 x 35mm Hex Head bolt (G) through the inside hole in rear driver's side bracket (D) and start the bolt into an M10 – 1.5 threaded plate (H). Insert the threaded plate in the rear inside hole location (where rubber plug was removed). Tighten, but do not tighten completely. Put downward pressure on the bolt while tightening to prevent the threaded plate from spinning in the hole.



STEP 2 – Using the bracket as a template to locate position of outside hole, drill a 1/8" pilot hole in the rocker panel through the outside bracket hole, then step up pilot hole to 3/8".

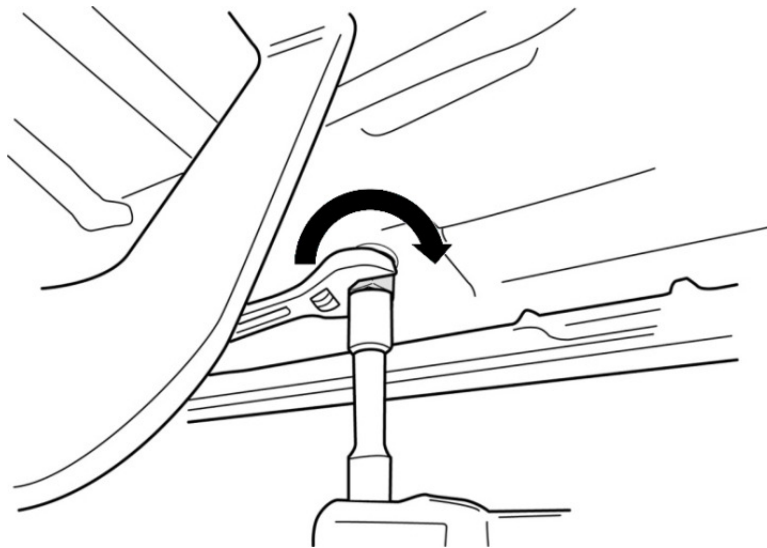


STEP 3 – Move rear bracket away from pilot hole and drill 17/32" hole through pilot hole location in rocker panel.

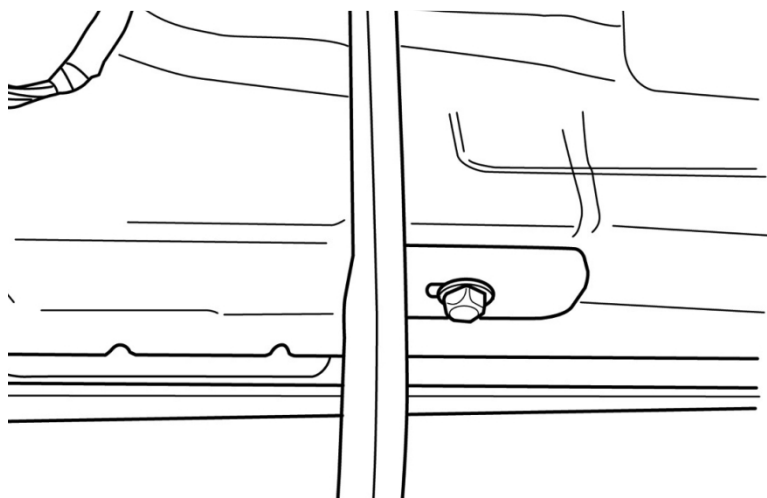
STEP 4 – Thread an M8 steel nutsert (N) onto the nutsert set tool (F) until the end of the nutsert is flush with the end of the set tool threads as shown, then insert nutsert into drilled hole in rocker panel.



STEP 5 – Using a 13mm wrench and a M6 Allen socket, turn the 13mm hex nut on the set tool while holding the Allen socket in place. The nut is turned in a clockwise direction (shown by arrow) to force the nutsert to compress. Tighten until nutsert is fully compressed.

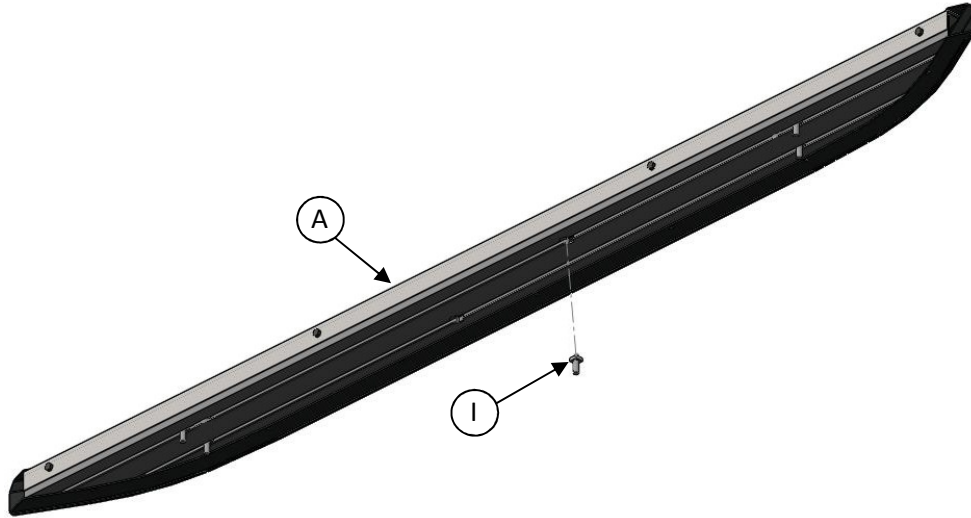


STEP 5 – Place an M8 x 25mm flange bolt (M) through the outside hole of the rear bracket and into the nutsert. Tighten the flange bolt and then finish tightening the M10 x 35mm Hex Head bolt in the inside hole.

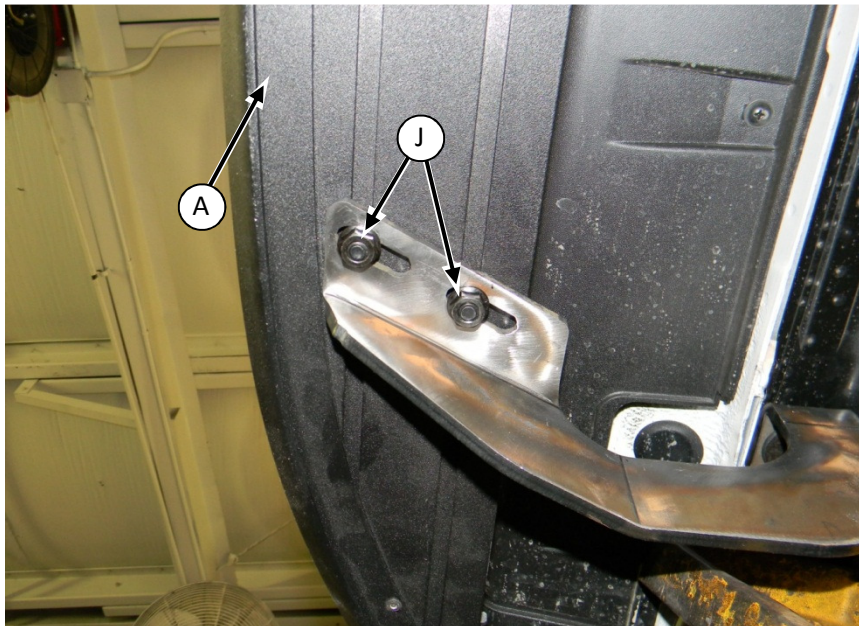


5 INSTALL RUNNING BOARD

STEP 1 – Place the 8mm square head bolts (I) into the two bolt channels on the bottom of the running board (A) and slide toward either end of the board. For this application, there should be two bolts in the outside channel, with one bolt on each end of the board, and two bolts in the inside channel, with one bolt on each end of the board. Refer to the figure below.



STEP 2 – Place running board (A) onto the brackets. Align 8mm square head bolts (H) in the bottom of the running board with holes in the brackets. Center board on vehicle between wheel well openings or until desired appearance is met. Adjust board in/out on vehicle until desired appearance is met. Secure board into place using M8 hex head flange nuts (J).



6

INSTALL PASSENGER SIDE BOARD

Repeat all steps for passenger side using brackets (C) and (E).